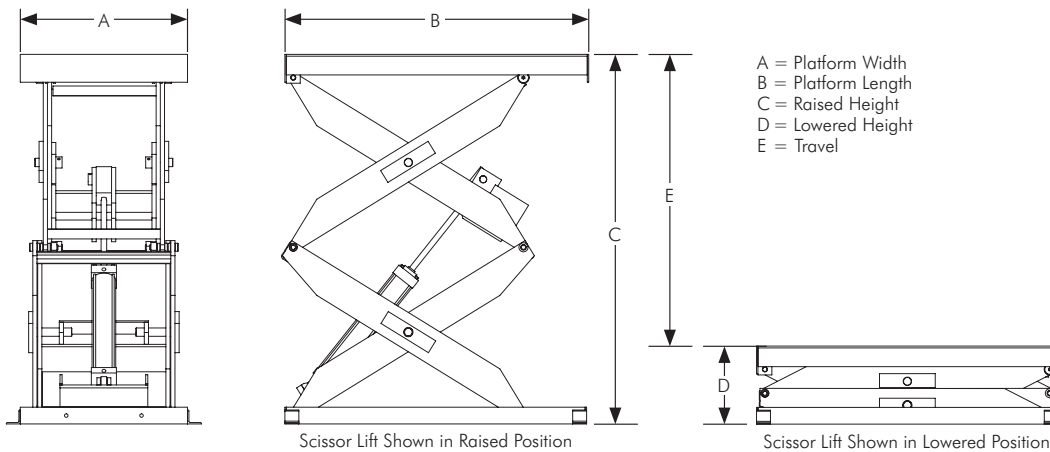




MULTI-TIER SCISSOR LIFTS

- Ideal for high vertical travel requirements with minimal platform size
- Utilizing multiple scissor sets keeps a small overall platform size
- Common applications include workstations for assembly, welding processes, heavy product manufacturing or work platforms



LOAD CAPACITY (lbs.)	LOWERED HEIGHT (in.) (D)	TRAVEL (in.) (E)	RAISED HEIGHT (in.) (C)	PLATFORM DIMENSIONS (A X B) (in.)		LIFTING SPEED (SECONDS)	STANDARD MOTOR (HP)	STANDARD VOLTAGE/ PHASE/HZ
				STANDARD	MAXIMUM			
36" TRAVEL								
2000	12	36	48	30 x 36	48 X 48	9	3 (External)	240,460/3/60
4000	12	36	48	30 x 36	48 X 48	17	3 (External)	240,460/3/60
6000	12	36	48	30 x 36	48 X 48	23	3 (External)	240,460/3/60
48" TRAVEL								
2000	14	48	62	30 x 42	48 x 60	16	3 (External)	240,460/3/60
4000	14	48	62	30 x 42	48 x 60	32	3 (External)	240,460/3/60
6000	14	48	62	32 x 42	48 x 60	42	3 (External)	240,460/3/60
60" TRAVEL								
2000	14	60	74	30 x 54	48 x 66	20	3 (External)	240,460/3/60
4000	14	60	74	30 x 54	48 x 66	40	3 (External)	240,460/3/60
6000	14	60	74	30 x 54	48 x 66	54	3 (External)	240,460/3/60
72" TRAVEL								
2000	14	72	86	30 x 54	48 x 72	26	3 (External)	240,460/3/60
4000	14	72	86	30 x 54	48 x 72	54	3 (External)	240,460/3/60
6000	14	72	86	30 x 54	48 x 72	84	3 (External)	240,460/3/60
84" TRAVEL								
2000	18	84	102	36 x 70	54 x 90	36	3 (External)	240,460/3/60
4000	18	84	102	36 x 70	54 x 90	55	3 (External)	240,460/3/60
6000	18	84	102	36 x 70	54 x 90	72	3 (External)	240,460/3/60
96" TRAVEL								
2000	18	96	114	36 x 78	54 x 108	45	3 (External)	240,460/3/60
4000	18	96	114	36 x 78	54 x 108	89	3 (External)	240,460/3/60
6000	18	96	114	36 x 78	54 x 108	113	3 (External)	240,460/3/60
120" TRAVEL								
2000	18	120	138	36 x 96	54 x 120	41	3 (External)	240,460/3/60
4000	18	120	138	36 x 96	54 x 120	62	3 (External)	240,460/3/60