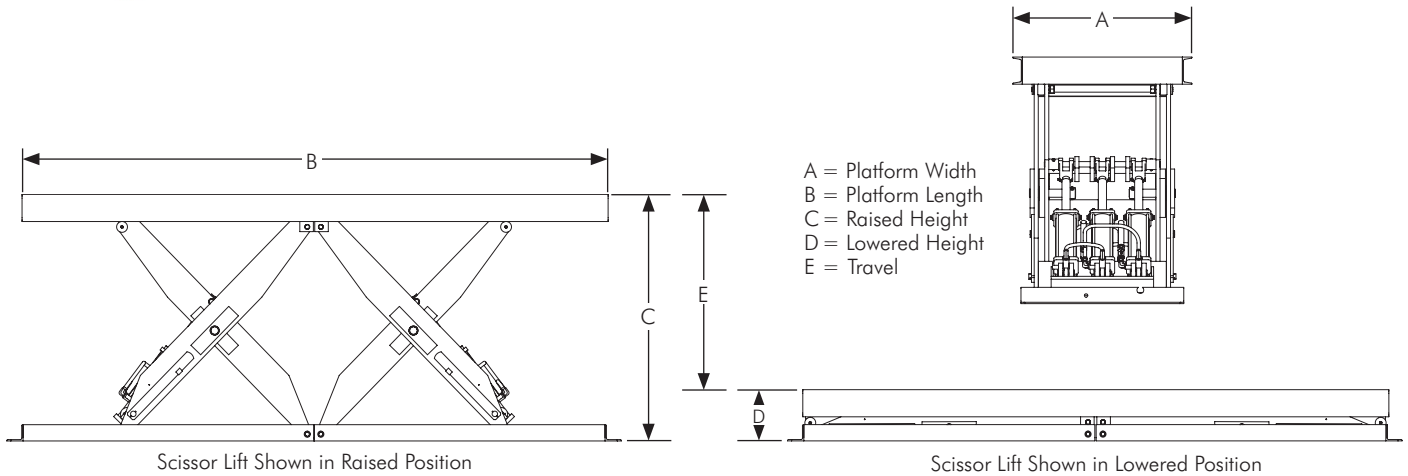




TANDEM SCISSOR LIFTS

- Ideal for long platform requirements
- Stable, double scissor set design
- Common applications include workstations for assembly, welding processes, heavy product manufacturing or work platforms



LOAD CAPACITY (lbs.)	LOWERED HEIGHT (in.) (D)	TRAVEL (in.) (E)	RAISED HEIGHT (in.) (C)	PLATFORM DIMENSIONS (A X B) (in.)		LIFTING SPEED (SECONDS)	STANDARD MOTOR (HP)	STANDARD VOLTAGE/ PHASE/HZ
				STANDARD	MAXIMUM			
24" TRAVEL								
4000	8	24	32	30 x 102	54 x 126	28	1 (Internal)	115/1/60
8000	8	24	32	30 x 102	54 x 126	56	1 (Internal)	115/1/60
12000	8	24	32	30 x 102	54 x 126	84	1 (Internal)	115/1/60
36" TRAVEL								
4000	8	36	44	30 x 110	54 X 134	42	1 (Internal)	115/1/60
8000	8	36	44	30 x 110	54 X 134	84	1 (Internal)	115/1/60
12000	8	36	44	30 x 110	54 X 134	176	1 (Internal)	115/1/60
48" TRAVEL								
4000	8	48	56	30 x 134	54 x 158	23	3 (External)	240,460/3/60
8000	8	48	56	30 x 134	54 x 158	46	3 (External)	240,460/3/60
12000	8	48	56	30 x 134	54 x 158	69	3 (External)	240,460/3/60
60" TRAVEL								
4000	10	60	70	30 x 174	54 x 198	32	3 (External)	240,460/3/60
8000	10	60	70	30 x 174	54 x 198	64	3 (External)	240,460/3/60
12000	10	60	70	30 x 174	54 x 198	96	3 (External)	240,460/3/60
72" TRAVEL								
4000	12	72	84	30 x 206	54 x 230	32	3 (External)	240,460/3/60
8000	12	72	84	30 x 206	54 x 230	64	3 (External)	240,460/3/60
12000	12	72	84	30 x 206	54 x 230	96	3 (External)	240,460/3/60