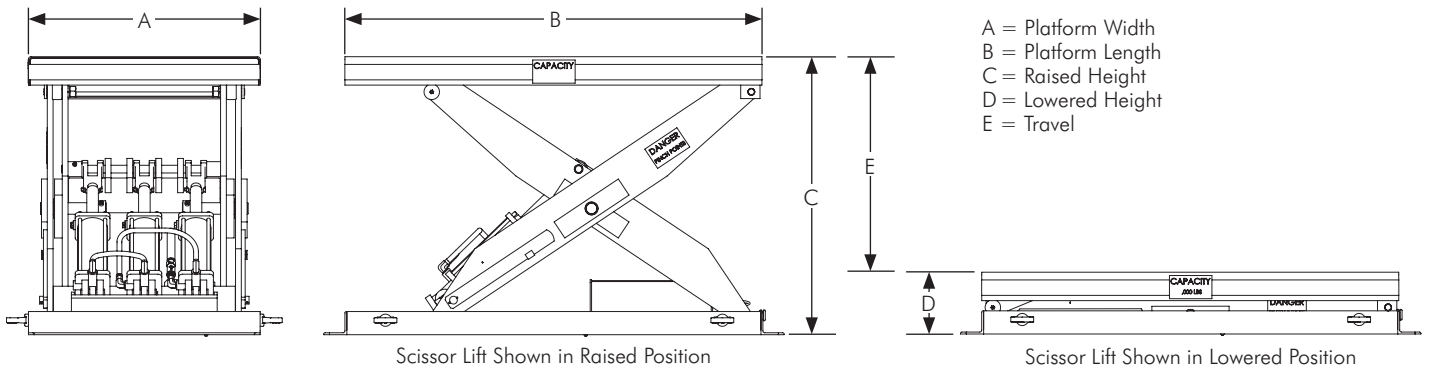




## HEAVY DUTY SCISSOR LIFTS

- Constructed to handle the heaviest loads for industrial applications
- 8,000 lbs. to 20,000 lbs. standard load capacities with a variety of travels and platform sizes available
- Common applications include workstations for assembly, welding processes, heavy product manufacturing or work platforms



Scissor Lift Shown in Raised Position

Scissor Lift Shown in Lowered Position

LOAD CAPACITY (lbs.)	LOWERED HEIGHT (D) (in.)	TRAVEL (E) (in.)	RAISED HEIGHT (C) (in.)	PLATFORM DIMENSIONS (A X B) (in.)		LIFTING SPEED (SECONDS)	STANDARD MOTOR (HP)	STANDARD VOLTAGE/ PHASE/HZ
				STANDARD	MAXIMUM			
<b>24" TRAVEL</b>								
8000	10.5	24	34.5	36 x 60	60 x 84	15	5 (External)	240,460/3/60
12000	10.5	24	34.5	40 x 60	64 x 84	21	5 (External)	240,460/3/60
<b>36" TRAVEL</b>								
8000	10.5	36	46.5	36 x 60	60 x 84	18	5 (External)	240,460/3/60
12000	10.5	36	46.5	40 x 60	64 x 84	27	5 (External)	240,460/3/60
<b>48" TRAVEL</b>								
8000	10.5	36	58.5	36 x 70	60 x 96	22	5 (External)	240,460/3/60
12000	10.5	36	58.5	40 x 70	64 x 96	33	5 (External)	240,460/3/60
<b>60" TRAVEL</b>								
8000	11.5	60	71.5	36 x 86	60 x 108	26	5 (External)	240,460/3/60
12000	11.5	60	71.5	40 x 86	64 x 108	38	5 (External)	240,460/3/60
<b>72" TRAVEL</b>								
8000	16	72	88	36 x 102	60 x 120	26	5 (External)	240,460/3/60
12000	16	72	88	40 x 102	64 x 120	38	5 (External)	240,460/3/60
<b>24" TRAVEL</b>								
15000	16	24	40	48 x 72	72 x 96	24	5 (External)	240,460/3/60
20000	16	24	40	48 x 72	72 x 96	35	5 (External)	240,460/3/60
<b>36" TRAVEL</b>								
15000	16	36	52	48 x 78	72 x 96	36	5 (External)	240,460/3/60
20000	16	36	52	48 x 78	72 x 96	53	5 (External)	240,460/3/60
<b>48" TRAVEL</b>								
15000	16	48	64	48 x 84	72 x 108	45	5 (External)	240,460/3/60
20000	16	48	64	48 x 84	72 x 108	68	5 (External)	240,460/3/60
<b>60" TRAVEL</b>								
15000	16	60	76	48 x 102	72 x 126	57	5 (External)	240,460/3/60
20000	16	60	76	48 x 108	72 x 132	86	5 (External)	240,460/3/60